

Read, Understand, Follow and Save These Instructions

Read, understand and follow all of these instructions and warnings (Instructions) before installing and using this product. Install and use this product only as specified in these instructions. Improper installation or use of this product may result in property damage, serious injury, and/or death. Never allow installation or use of this product by anyone without providing them with these instructions. You must read, understand and follow all instructions and warnings for any product(s) to which this product is used in conjunction with or installed. Save these instructions with the product for use as a reference for any future installation and use of the product.

WARNING

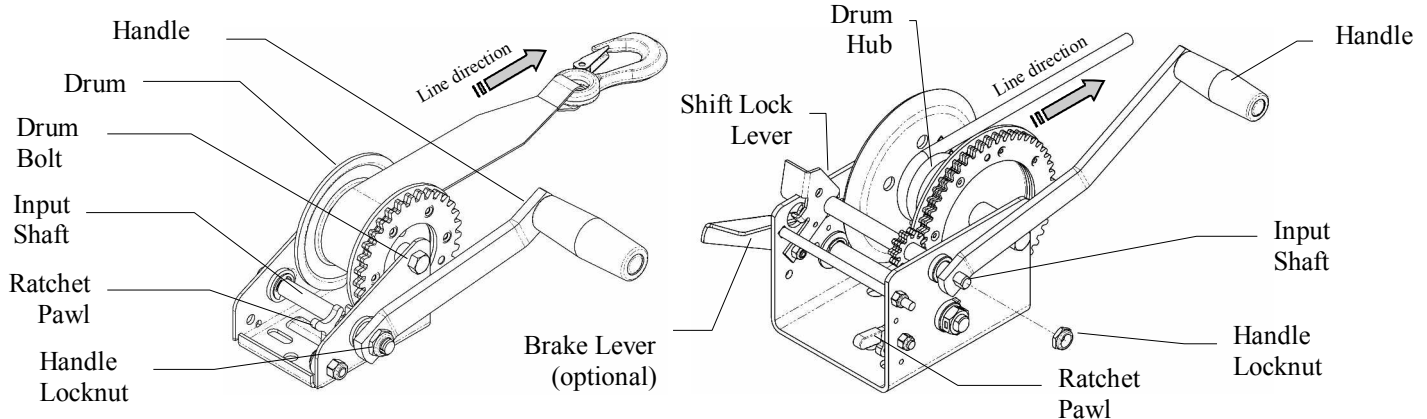
Failure to follow these warnings and instructions may result in property damage, serious bodily injury, and/or death.

- Purchaser/owner must ensure that product is installed according to these instructions. Purchaser/owner must not alter or modify the product.
- Operator and bystanders should never position any part of body under or on the path of any portion of this product or the load being supported, or moved.
- Do not allow children to play on or around this product or the load being supported, or moved.
- Do not use winch to move humans.
- Never exceed the maximum rated capacity. Refer to stamped markings on side of frame to obtain rated capacity. If uncertain, contact Cequent Trailer Products at 800-604-9466 or www.cequentgroup.com
- Always inspect the cable and its attachment before each use to make sure they are not damaged. Never use worn, kinked, or frayed cable. If the cable or attachment breaks, the cable will whip violently, causing property damage, serious bodily injury, and/or death.
- Never stand along side the winch cable, strap, or rope or guide the cable, strap, or rope with your hands.
- Never operate with slippery, wet, or oily hands and always maintain a firm grip on the winch handle. Do not attempt to stop a winch by grabbing the handle while in motion.
- Always maintain a minimum of three complete wraps of cable or rope on the drum, or three layers of strap on the drum.
- Only winches that have a hub diameter of 1 3/4" can accommodate steel cable.
- Assure there is adequate safety factor, of at least 3 times the maximum load for all components used.
- A loud clicking sound from the ratchet must be heard when lifting the load. If a loud clicking sound is not heard, do not use and replace ratchet components immediately.
- Never release the crank handle unless the ratchet pawl is fully engaged and the load is supported.
- In no case will a one-way ratchet pawl system hold the load when it is being let out.
- Never leave a weight supported from the winch while the winch is unattended, as another person may attempt to operate the winch, thereby creating an unsafe condition.
- This winch is designed for manual operation only and the load rating is based on an intermittent duty cycle.
- Excessive force in turning winch handle may indicate overload. Fulton brand winches require 25-45 lbs of handle force to pull their rated load.
- If you cannot crank the winch with one hand you are potentially overloading the winch.
- On two speed winches, make sure that the ratchet pawl is properly engaged and holding the load before attempting to change gears.
- Winches are not designed to secure boats to trailers while towing. Boat tie downs should be used for this purpose.
- Periodically check mounting hardware for proper torque and tighten if necessary.
- Always replace bent, broken, or worn parts before using this product.

Installation Instructions

Warning: Failure to follow all installation instructions could result in winch failure.

(Mounting hardware not supplied.) The winch stand must be capable of supporting at least five times the rated capacity of the winch. The mounting surface must be equal to or greater than the footprint of the winch frame. When attaching the trailer winch, use 3/8" dia. grade-5 hardware and torque to 28-30 ft-lbs. Mounting bolts will vary in length for each application. Check final installation and make sure winch is secure to mounting structure.



Attaching a Handle:

Assemble the handle onto the flattened input shaft end. Tighten the 1/2" - 13 locknut against handle and torque to 22-25 ft-lbs. Do not over torque.

Attaching Winch Line (Rope, Strap or Cable):

Always maintain a minimum of three complete wraps of rope, strap or cable on the drum. If attaching a rope or strap without strap anchor to an XLT- series winch, remove the drum bolt and gently separate the plastic cover to allow the winch drum to be removed. Install the steel cable, strap or rope according to the instructions below and re-install the winch drum as it was before. Torque the locknut to 9-10 ft-lbs and be certain winch drum is not bound and spins by hand.

Attaching a Rope:

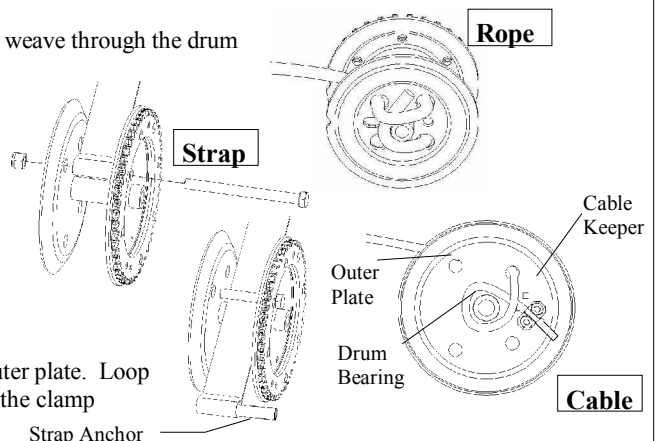
Attaching a rope to the winch drum requires no bolts, nuts, or clamp. The rope must weave through the drum outer wall and be secured beneath itself as shown in the illustration.

Attaching a Strap:

Winches designed for a strap have holes in the drums to accommodate a strap cross bolt. A grade 5 bolt of the largest possible diameter is required for strap mounting (see chart on following page). Tighten the locknut just to where end play in bolt is taken up. Over-tightening can deform drum. For winches having a strap anchor included, pass the strap loop under the cross bolt, insert strap anchor in the strap loop, then pull tight.

Attaching a Steel Cable to a Drum:

Pass the cable from the inside of the drum through one of the dimpled holes in the outer plate. Loop the cable around the drum bearing, under itself, and leave 1" of cable extending past the clamp location. Tighten the clamp nuts to approximately 2 ft-lbs.



Prior to Use

- Inspect rope, strap or cable and replace if damaged.
- Check mounting hardware for proper tightness and tighten if necessary.
- Gears, ratchet pivot point and shaft bushings must be kept lubricated with a thin oil or grease.

Operation

Let Line/Load Out:

Before turning the handle, firmly grip the winch handle and disengage the ratchet pawl or engage it in the reverse direction. You may have to take in a small amount of line to allow the ratchet pawl to unload. With a firm grip on the winch handle, slowly let out line. If you must stop before the load is fully out, be sure the ratchet pawl is engaged in the forward or loading position and gradually release the winch handle to be sure the ratchet pawl is holding the load.

Take Line/Load In:

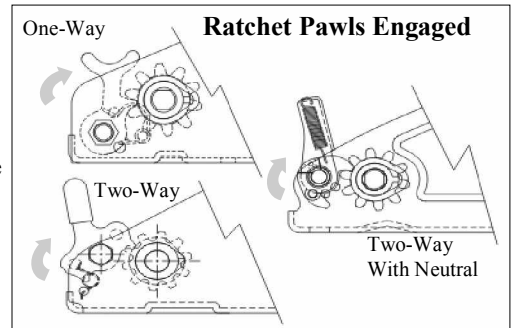
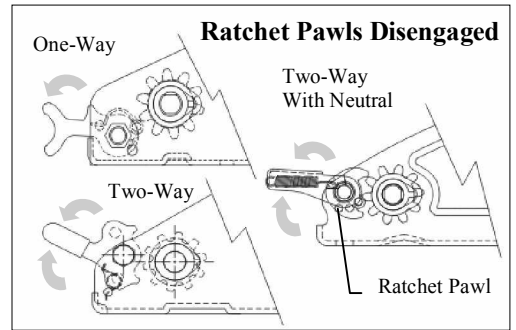
Be sure the ratchet pawl is engaged in the forward or loading position. As you turn the handle, make sure the cable, strap, or rope is winding onto the drum properly. If you must stop before the load is fully in, be sure the ratchet pawl is engaged and gradually release the winch handle to be sure the ratchet pawl is holding the load.

Braking (Winches Equipped with Optional Hand Brake):

Apply the brake to help control the load by pressing down on the hand brake lever. Do not let go of the winch handle while letting line out, and do not attempt to stop a spinning winch handle.

Shifting (2-Speed Winches Only):

Make sure that the ratchet pawl is properly engaged and holding the load before attempting to change gears. T3700 winches change gears by relocating the winch handle onto a different input shaft. Other 2-speed winches shift by disengaging the shift lock lever, sliding the input shaft, and reengaging the shift lock lever. The shift lock lever must be firmly in place in an inner or outer groove on the input shaft during winch operation. Inner and outer grooves, drive gear is engaged, center groove is neutral.



Winch Information Chart

Capacity (1)	Fulton Part No.	Gear Ratio	Handle Length	Max. Mech. Adv. (2)	Ratchet Pawl Style	Drum Storage			Strap Bolt Size, where applicable (not included in all models)
						Rope	Steel Cable (3)	Strap	
SINGLE SPEED WINCHES									
600 lbs.	T600	3.1:1	6"	34:1	Two-way	36' x 1/4"	N/A	15' x 2"	1/4" x 2-1/2" Grade 5
900 lbs.	T900	3.1:1	7"	39:1	Two-way	36' x 1/4"	N/A	15' x 2"	1/4" x 2-1/2" Grade 5
	T903	3.1:1	7"	39:1	Two-way	36' x 1/4"	N/A	12' x 2"	1/4" x 2-1/2" Grade 5
1100 lbs.	T1100	4.1:1	7"	43:1	Two-way w/neutral	30' x 5/16"	N/A	20' x 2"	1/4" x 2-1/2" Grade 5
1300 lbs.	T1300	4.1:1	8"	49:1	Two-way w/neutral	30' x 5/16"	N/A	20' x 2"	1/4" x 2-1/2" Grade 5
1400 lbs.	XLT14	4.1:1	8"	43:1	Two-way	N/A	N/A	20' x 2"	5/16" x 2-1/2" Grade 5
1500 lbs.	T1500	4.1:1	8"	49:1	Two-way w/neutral	20' x 5/16"	N/A	20' x 2"	1/4" x 2-1/2" Grade 5
1600 lbs.	T1602	5.1:1	9"	56:1	Two-way	20' x 7/16"	N/A	20' x 2"	3/8" x 2-3/4" Grade 5
1800 lbs.	T1801	5.1:1	10"	62:1	Two-way	20' x 7/16"	N/A	20' x 2"	3/8" x 2-3/4" Grade 5
	XLT18	5.1:1	10"	62:1	Two-way	N/A	N/A	20' x 2"	3/8" x 2-3/4" Grade 5
2100 lbs.	T2100	5.1:1	10"	62:1	Two-way	20' x 7/16"	N/A	20' x 2"	3/8" x 2-3/4" Grade 5
TWO SPEED WINCHES									
2000 lbs.	T2005	4.1:1 & 9.8:1	10"	87:1	Two-way w/neutral	20' x 7/16"	N/A	N/A	3/8" x 2-3/4" Grade 5
	T2025	4.1:1 & 9.8:1	10"	64:1	Two-way w/neutral	N/A	50' x 7/32"	N/A	Cable only (3)
2600 lbs.	T2605	5.1:1 & 12.2:1	10"	108:1	Two-way w/neutral	24' x 7/16"	N/A	N/A	3/8" x 3-1/2" Grade 5
	T2625	5.1:1 & 12.2:1	10"	79:1	Two-way w/neutral	N/A	175' x 7/32"	N/A	Cable only (3)
3200 lbs.	T3205	5.1:1 & 12.2:1	10"	79:1	Two-way w/neutral	N/A	175' x 7/32"	N/A	Cable only (3)
3700 lbs.	T3700	5.1:1 & 12.2:1	10"	102:1	Two-way	N/A	185' x 7/32"	N/A	Cable only (3)

(1) **Capacity** is based on direct line pull on first layer of the line on the drum. Capacity is reduced as line builds up on the drum.

(2) **Maximum Mechanical Advantage** is based on first layer of recommended line on the drum. For maximum efficiency use only the amount of line required.

(3) Only winches that are shown to accommodate **steel cable** can use steel cable. Winches designed for steel cable have a larger drum hub to reduce the bending fatigue of the cable and extend the cable life. Neatly wrapping the cable is necessary to reduce the chance of kinking or fraying.

How to Order

Use only Cequent Trailer Products' parts or parts of equal quality for repair. Replacement parts are available through Cequent Trailer Products' Customer Service Department, 715-693-1700 or 800-604-9466. Please specify product model number. Visit www.cequentgroup.com for additional details.

Limited Warranty

Warranty. Cequent Trailer Products, Inc. ("We") warrants to the original consumer purchaser ("You") that the product will be free from defects in material and workmanship for a period of one year for "**Value Series**" products, three years for "**Standard Series**" and five years for "**High Performance Series**", under normal use and service and subject to the terms of this Limited Warranty. If the product does not comply with this warranty, We will replace the product without charge to You and within a reasonable time or, at our option, refund the purchase price. This warranty is not transferable. A warranty replacement or repair of a claimed nonconforming product shall not extend the warranty period.

Limitations on the Warranty. The warranty does not cover the following: (a) normal wear and tear; (b) damage through abuse, neglect, misuse (such as use inconsistent with our operating and maintenance instructions) or accident; (c) damage from misapplication, overloading, or improper installation; (d) improper maintenance or (e) a product altered in any manner by anyone other than us. OUR EXPRESS WARRANTY STATED ABOVE IS IN LIEU OF ALL OTHER WARRANTIES, EXPRESS OR IMPLIED, INCLUDING WITHOUT LIMITATION, ANY WARRANTIES OF MERCHANTABILITY OR FITNESS FOR A PARTICULAR PURPOSE, BOTH OF WHICH ARE EXPRESSLY DISCLAIMED, SUBJECT TO ANY STATE LAW LIMITATION THAT MAY APPLY TO YOU.

Obligations of Purchaser. To make a claim, contact us at 1050 Indianhead Drive, Mosinee, WI 54455, 1-800-604-9466, identify the product, and follow the instructions that will be provided. At our request, you must return any allegedly nonconforming product to us for inspection, testing and validation of the nonconformity. Any returned product that is replaced or refunded becomes our property. You will be responsible for shipping costs to us. Your purchase receipt to verify date of purchase must be produced with your warranty claim.

Remedy Limits. Refund of the purchase price or replacement of the product is your sole remedy under this or any other warranty on the product. WE WILL NOT BE LIABLE FOR ANY CLAIMS OF ANY KIND GREATER THAN THE PURCHASE PRICE OF THE PRODUCT. IN NO EVENT WILL WE BE LIABLE FOR YOUR PURCHASE OF SUBSTITUTE GOODS, OR ANY SPECIAL, INDIRECT, INCIDENTAL, CONSEQUENTIAL OR PUNITIVE DAMAGES, SUBJECT TO ANY STATE LAW LIMITATION THAT MAY APPLY TO YOU.

Legal Rights. This warranty gives you specific legal rights, and You also may have other rights which vary from state to state.

Cequent Trailer Products
1050 Indianhead Dr., P.O. Box 8 Mosinee, WI 54455-0008
800/604-9466 715/693-1700 Fax 715/693-1799
TR-Sales@cequentgroup.com
www.cequentgroup.com

This warranty is governed by the laws of the United States of America and is void where prohibited.

Lire, assimiler, respecter et conserver ces instructions

Il importe de lire, comprendre et observer toutes les instructions et avertissements avant d'installer et utiliser ce produit. Installer et utiliser ce produit uniquement selon les instructions. Une installation ou utilisation inadéquate peut entraîner des dommages à la propriété, des blessures sévères, et/ou le décès. Ne jamais autoriser une personne à installer ou utiliser ce produit sans lui fournir ces instructions. Il importe aussi de lire, comprendre et observer toutes les instructions et avertissements relatifs au(x) produit(s) qui seront installés ou utilisés conjointement avec celui-ci. Conserver ces instructions pour consultation lors d'une installation ou utilisation ultérieure du produit.



AVERTISSEMENT

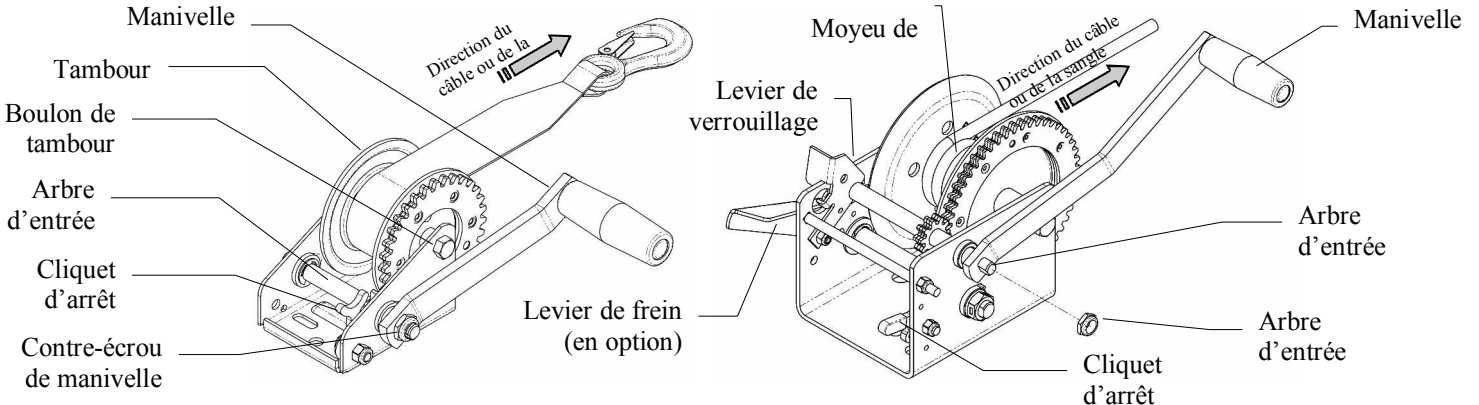
L'omission de respecter ces consignes de sécurité et d'installation peut entraîner des dommages matériels, des lésions corporelles sévères, voire même le décès.

- L'acheteur ou le propriétaire doit s'assurer que le produit est installé en conformité avec ces instructions. L'acheteur ou le propriétaire ne doit pas modifier le produit.
- L'installateur (ou toute personne présente) ne doit jamais se trouver, même partiellement, sous quelque partie du produit ou de la charge supportée que ce soit.
- Ne jamais autoriser les enfants à jouer sur ou à proximité de ce produit ou de la charge qu'il supporte.
- Ne pas utiliser un treuil pour déplacer des personnes.
- Ne jamais dépasser la capacité maximum nominale. Se référer aux indications estampillées sur le côté du cadre pour connaître la capacité nominale. En cas de doute, communiquer avec Cequent Trailer Products au 800-604-9466 ou sur le site www.cequentgroup.com.
- Toujours inspecter le câble et sa fixation avant chaque utilisation pour s'assurer qu'il n'est pas endommagé. Ne jamais utiliser un câble usé, tordu ou éraillé. Si le câble (ou sa fixation) se brise, il peut fouetter violemment l'espace environnant et ainsi endommager des biens ou occasionner des blessures sévères, voire le décès.
- Ne jamais se tenir à côté d'un câble ou d'une sangle de treuil ni les guider avec les mains.
- Ne jamais manoeuvrer le treuil avec les mains glissantes, moites ou huileuses et toujours tenir fermement sa manivelle. Ne pas tenter d'arrêter un treuil en agrippant sa manivelle alors qu'elle est en mouvement.
- Toujours garder un minimum de trois couches entières de câble ou de sangle sur le tambour.
- Seuls les treuils d'un diamètre de moyeu de 1-3/4 po peuvent recevoir un câble en acier.
- S'assurer de disposer d'un facteur de sécurité adéquat d'au moins 3 fois la charge maximale, et ce pour tous les composants utilisés.
- Le rochet doit émettre un cliquetis nettement audible lors du soulèvement de la charge. Si un cliquetis ne se fait pas entendre, ne pas utiliser le treuil et remplacer les composants défectueux du rochet immédiatement.
- Ne jamais libérer la manivelle à moins que le cliquet d'arrêt ne soit pleinement engagé et la charge, supportée.
- En aucun cas le système à cliquet d'un rochet unidirectionnel ne sera en mesure de retenir la charge si le cliquet d'arrêt est désengagé.
- Ne jamais laisser le treuil sans surveillance s'il retient une charge, une autre personne risque de manoeuvrer le treuil et ainsi compromettre la sécurité.
- Ce treuil est conçu pour un fonctionnement manuel seulement et sa capacité de charge nominale ne vaut que pour un cycle de service intermittent.
- Un effort excessif pour tourner la manivelle peut être l'indice d'une surcharge. Les treuils de marque Fulton nécessitent d'exercer une force de 25 à 45 lb sur la manivelle pour tirer leur charge nominale.
- Si une main n'est pas suffisante pour tourner la manivelle, il est probable que la capacité du treuil est dépassée.
- Les treuils ne sont pas conçus pour attacher des bateaux à des remorques pour le transport. Du matériel d'arrimage pour bateaux doit être utilisé à cette fin.
- Vérifier régulièrement l'exactitude du serrage de la visserie de montage et serrer adéquatement si nécessaire.
- Toujours remplacer les pièces tordues, brisées ou usées avant d'utiliser ce produit.

Instructions d'installation

Avertissement : L'omission d'observer toutes les instructions d'installation peut entraîner une défaillance du treuil.

(Visserie de montage non fournie.) Le support du treuil doit être en mesure de supporter au moins cinq fois la capacité de charge nominale du treuil. La surface de montage doit être égale ou supérieure à l'empreinte du châssis du treuil. Lors de la fixation les autres treuils de remorque, utiliser une visserie de classe 5 d'un diamètre de 3/8 po et serrer au couple de 28-30 lb-pi. Les boulons de montage peuvent varier en longueur selon l'application. Une fois terminée, vérifier l'installation et s'assurer que le treuil est solidement monté sur la structure de montage.



Fixation de la manivelle :

Assembler la manivelle sur l'extrémité plate de l'arbre d'entrée. Serrer le contre-écrou 1/2" - 13 contre la manivelle au couple de 22-25 lb-pi. Ne pas serrer excessivement.

Fixation du câble (métallique ou textile) ou de la sangle :

Toujours garder un minimum de trois couches entières de câble ou de sangle sur le tambour. S'il s'agit de fixer un câble ou une sangle dépourvus d'un ancrage à un treuil de série XLT, enlever le boulon de tambour et séparer délicatement le couvercle de plastique pour permettre l'enlèvement du tambour. Installer le câble (en acier ou textile) ou la sangle en observant les instructions ci-dessous et réinstaller le tambour comme il était auparavant. Serrer le contre-écrou au couple de 9-10 lb-pi et s'assurer que le tambour du treuil n'est pas coincé et qu'il tourne à la main.

Fixation d'un câble textile :

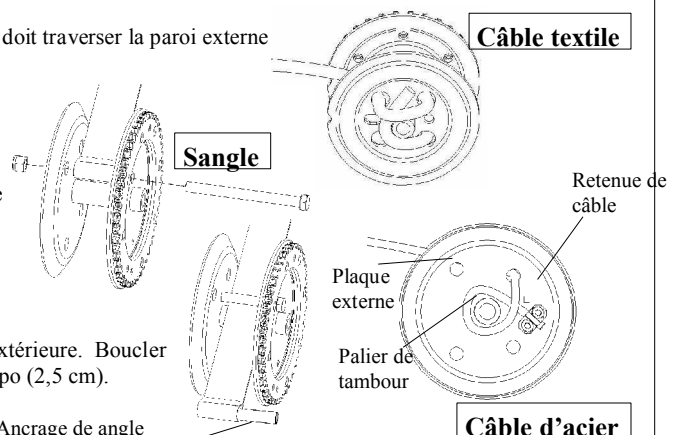
La fixation d'un câble textile ne requiert pas de boulons, écrous, ni brides. Le câble textile doit traverser la paroi externe du tambour et se coincer dans sa propre boucle, comme indiqué sur l'illustration.

Fixation d'une sangle :

Les treuils conçus pour recevoir une sangle sont dotés d'ouvertures dans le tambour pour permettre le boulonnage transversal. Un boulon de classe 5 du plus grand diamètre possible est nécessaire pour monter la sangle (voir le tableau de la page suivante). Serrer le contre-écrou jusqu'à l'arrêt d'axe du boulon. Un serrage excessif peut déformer le tambour. Dans le cas des treuils dotés d'un ancrage de sangle, passer l'anneau de sangle sous le boulon transversal, insérer l'ancrage dans l'anneau de sangle, puis tirer fermement.

Fixation d'un câble d'acier à un tambour :

Depuis l'intérieur du tambour, passer le câble à travers une des trous bordés de la plaque extérieure. Boucler le câble autour du palier du tambour puis sous lui-même et le laisser dépasser la bride de 1 po (2,5 cm). Serrer les écrous de la bride au couple de 2 lb-pi.



Avant l'utilisation

- Inspecter le câble ou la sangle et les remplacer s'ils sont endommagés.
- Vérifier l'exactitude du serrage de la visserie de montage et serrer adéquatement si nécessaire.
- Les engrenages, le point de pivotement du rochet et les bagues d'arbre doivent être lubrifiés avec une huile ou une graisse légères.

Fonctionnement

Dévidage/déchargement :

Avant de tourner la manivelle, agripper fermement la poignée de la manivelle et désengager le cliquet d'arrêt ou l'engager dans la direction opposée. Vous pouvez rembobiner sur une courte distance pour faciliter le désengagement du cliquet d'arrêt. En agrippant fermement la poignée de la manivelle, dévider lentement le treuil. S'il faut arrêter la manoeuvre avant le déchargement complet, s'assurer que le cliquet d'arrêt est engagé dans la position avant ou de chargement, puis relâcher progressivement la poignée de la manivelle pour être certain que le cliquet d'arrêt retient la charge.

Rembobinage/chargement :

S'assurer que le cliquet d'arrêt est engagé dans la position avant ou de chargement. En tournant la manivelle, s'assurer que le câble ou la sangle s'enroule correctement sur le tambour. S'il faut arrêter la manoeuvre avant le chargement complet, s'assurer que le cliquet d'arrêt est engagé, puis relâcher progressivement la poignée de la manivelle pour être certain que le cliquet d'arrêt retient la charge.

Freinage (treuils équipés d'un frein manuel en option) :

Pour mieux contrôler la charge, appliquer le frein en appuyant sur le levier de frein. Ne jamais lâcher la prise sur la manivelle lors du dévidage, ni tenter d'arrêter une manivelle qui s'est mise à tourner.

Changement de vitesse (treuils à deux vitesses seulement) :

S'assurer que le cliquet d'arrêt est correctement engagé et retient bien la charge avant de passer à une autre vitesse. Avec les treuils T3700, le changement de vitesse s'effectue en plaçant la manivelle sur un autre arbre d'entrée. Pour d'autres treuils à deux vitesses, le changement s'effectue en désengageant le levier de verrouillage, en faisant glisser l'arbre d'entrée, puis en réengageant le levier de verrouillage. Le levier de verrouillage doit être engagé à fond dans une rainure interne ou externe de l'arbre d'entrée durant l'actionnement du treuil. Rainures interne et externe, l'engrenage d'entraînement est engagé, la rainure centrale est neutre.

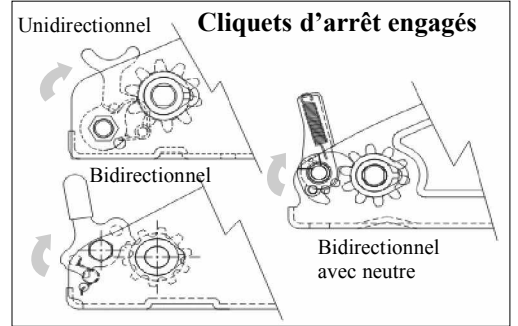
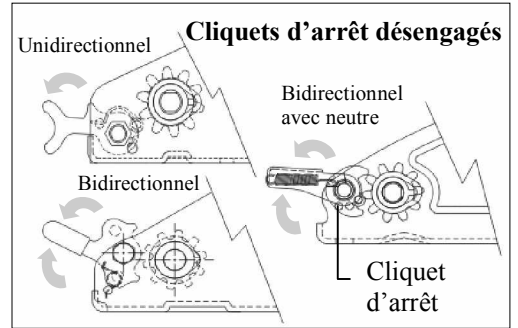


Tableau de renseignements sur le treuil

Capacité (1)	Numéro de pièce Fulton	Rapport d'engrenage	Longueur de manivelle	Avantage mécanique maximum	Cliquet d'arrêt	Capacité du tambour			Taille de boulon de sangle, s'il y a lieu (non fourni avec tous les modèles)
						Câble textile	câble d'acier (3)	Sangle	
Le treuil d'une vitesse									
600 lbs.	T600	3.1:1	6"	34:1	Bidirectionnel	36' x 1/4"	N/A	15' x 2"	1/4" x 2-1/2" Classe 5
900 lbs.	T900	3.1:1	7"	39:1	Bidirectionnel	36' x 1/4"	N/A	15' x 2"	1/4" x 2-1/2" Classe 5
	T903	3.1:1	7"	39:1	Bidirectionnel	36' x 1/4"	N/A	12' x 2"	1/4" x 2-1/2" Classe 5
1100 lbs.	T1100	4.1:1	7"	43:1	Bidirectionnel avec neutre	30' x 5/16"	N/A	20' x 2"	1/4" x 2-1/2" Classe 5
1300 lbs.	T1300	4.1:1	8"	49:1	Bidirectionnel avec neutre	30' x 5/16"	N/A	20' x 2"	1/4" x 2-1/2" Classe 5
1400 lbs.	XL14	4.1:1	8"	43:1	Bidirectionnel	N/A	N/A	20' x 2"	5/16" x 2-1/2" Classe 5
1500 lbs.	T1500	4.1:1	8"	49:1	Bidirectionnel avec neutre	20' x 5/16"	N/A	20' x 2"	1/4" x 2-1/2" Classe 5
1600 lbs.	T1602	5.1:1	9"	56:1	Bidirectionnel	20' x 7/16"	N/A	20' x 2"	3/8" x 2-3/4" Classe 5
1800 lbs.	T1801	5.1:1	10"	62:1	Bidirectionnel	20' x 7/16"	N/A	20' x 2"	3/8" x 2-3/4" Classe 5
	XL18	5.1:1	10"	62:1	Bidirectionnel	N/A	N/A	20' x 2"	3/8" x 2-3/4" Classe 5
2100 lbs.	T2100	5.1:1	10"	62:1	Bidirectionnel	20' x 7/16"	N/A	20' x 2"	3/8" x 2-3/4" Classe 5
Treuils à deux vitesses									
2000 lbs.	T2005	4.1:1 & 9.8:1	10"	87:1	Bidirectionnel avec neutre	20' x 7/16"	N/A	N/A	3/8" x 2-3/4" Classe 5
	T2025	4.1:1 & 9.8:1	10"	64:1	Bidirectionnel avec neutre	N/A	50' x 7/32"	N/A	Câble seulement (3)
2600 lbs.	T2605	5.1:1 & 12.2:1	10"	108:1	Bidirectionnel avec neutre	24' x 7/16"	N/A	N/A	3/8" x 3-1/2" Classe 5
	T2625	5.1:1 & 12.2:1	10"	79:1	Bidirectionnel avec neutre	N/A	175' x 7/32"	N/A	Câble seulement (3)
3200 lbs.	T3205	5.1:1 & 12.2:1	10"	79:1	Bidirectionnel avec neutre	N/A	175' x 7/32"	N/A	Cable only (3)
3700 lbs.	T3700	5.1:1 & 12.2:1	10"	102:1	Bidirectionnel	N/A	185' x 7/32"	N/A	Cable only (3)

(1) La capacité est basée sur la force directe exercée sur le câble/sangle au niveau de la première couche d'enroulement sur le tambour. Cette capacité diminue à mesure que les couches s'additionnent sur le tambour.

(2) **Maximum Mechanical Advantage** : Basé sur la première couche de câble (ou sangle) recommandé sur le tambour. Pour une efficacité maximale, utiliser uniquement la longueur requise.

(3) S'assurer de la compatibilité du treuil avec le câble d'acier si ce dernier doit être utilisé. Les treuils compatibles avec les câbles d'acier sont dotés d'un moyeu de tambour plus large afin de réduire la fatigue par pliage et prolonger la durée de vie du câble. L'enroulement ordonné du câble est nécessaire pour diminuer le risque de vrillage ou d'effilochage.

Pour commander

Pour les réparations, utiliser uniquement des pièces de Cequent Trailer Products ou de qualité équivalente. Il est possible d'obtenir des pièces de rechange par le biais du Service à la clientèle de Cequent Trailer Products en composant le 715-693-1700 ou le 800-604-9466. Veuillez préciser le numéro de modèle du produit.

Garantie limitée

Garantie Limitée. Les produits de remorque Cequent, Inc. ('Nous') garantit à l'acheteur original seulement ('Vous') que le produit acheté aura aucun défaut matériel soit en matériaux et en main d'œuvre, l'usure normal est attendu, pour une durée de (i) cinq ans pour les produits de Série Haute Performance Bulldog® et Fulton® (ii) trois ans pour les produits de Série Standard d'Eclipse Bulldog Engineered et de Fulton, et (iii) un an pour les produits de la Série Value de Fulton. Cette garantie est valide seulement si l'installation et l'utilité du produit s'accordent avec les directives du produit. Il n'y a aucune autre garantie, exprimée ou implicite, incluant la garantie de qualité du marchand ou d'adaptation pour une raison particulière. Si le produit ne se conforme pas à la garantie limitée applicable d'un an, Votre seul et exclusif choix de remédier est que Nous remplacerons le produit sans frais à Vous et en temps raisonnable ou, si nous choisissons, rembourser le prix de l'achat. Cette garantie limitée ne se transfère pas.

Les Limites de la Garantie. Cette garantie limitée n'inclut pas: (a) l'usage normal; (b) dommage à cause d'abus, négligence, utilité incorrecte, ou en résultat d'un accident ou par autres façons; (c) dommage à cause de l'application incorrecte, sur-charge ou installation incorrecte, incluant le soudage; (d) le maintien et les réparations incorrectes; et (e) changement du produit quelconque par autre personne que Nous, avec seul l'exception des changements faits d'après les directives du produit et à la façon d'un ouvrier.

Les Obligations de l'Acheteur. Vous devez garder Votre reçu de l'achat du produit pour vérifier la date de l'achat et que Vous êtes l'acheteur consommateur original. Pour faire une demande de garantie, contactez Nous au 1050 Indianhead Drive, Mosinee, WI, 54455, 1-800-604-9466, identifiez le produit avec la marque et le numéro du modèle, et suivez les directives de demande qu'on donnera. Le produit et le reçu de l'achat devront Nous être donnés afin de procéder avec Votre demande. Tout produit retourné qui est remplacé ou remboursé Nous appartient. Vous serez responsable pour les frais de transport pour le retour.

Limite à faire Remédier. Réparer ou remplacer est Votre seul choix pour remédier avec cette garantie limitée ou toutes autres garanties reliées à ce produit. Nous ne serons pas responsables des frais de service ou des frais de main d'œuvre causés par l'enlèvement ou le remplacement d'un produit ou autres dommages des incidents ou conséquences quoi que ce soit.

Assumé le Risque. Vous reconnaissez et acceptez que tout usage du produit pour n'importe quelle utilité autre que l'utilité (les utilités) spécifiquement écrite(s) dans les directives du produit est à Votre risque.

Loi Gouvernante. Cette garantie limitée Vous donne des droits légaux, et Vous avez possiblement d'autres droits qui varient d'état en état. Cette garantie est gouvernée par les lois de l'état de Michigan, sans égard aux règlements en ce qui concerne les conflits de loi. La cours d'état situé dans le comté Oakland, Michigan aura la juridiction exclusive pour toutes disputes liées à cette garantie.

Cequent Trailer Products
 1050 Indianhead Dr., P.O. Box 8 Mosinee, WI 54455-0008
 800/604-9466 715/693-1700 Fax 715/693-1799
 TR-Sales@cequentgroup.com
 www.cequentgroup.com

Lea, comprenda, siga y guarde estas instrucciones

Lea, entienda y siga estas instrucciones y advertencias (Instrucciones) antes de instalar y usar este producto. Instale y use este producto únicamente según se especifica en estas instrucciones. La instalación o uso incorrectos de este producto podría resultar en daños a la propiedad, lesiones serias y/o la muerte. Nunca permita que alguien instale o use este producto sin entregarle estas instrucciones. Usted debe leer, entender y seguir todas las advertencias para cualquier producto que se use o se instale en combinación con este producto. Conserve estas instrucciones con el producto para uso como referencia para cualquier instalación futura.



ADVERTENCIA

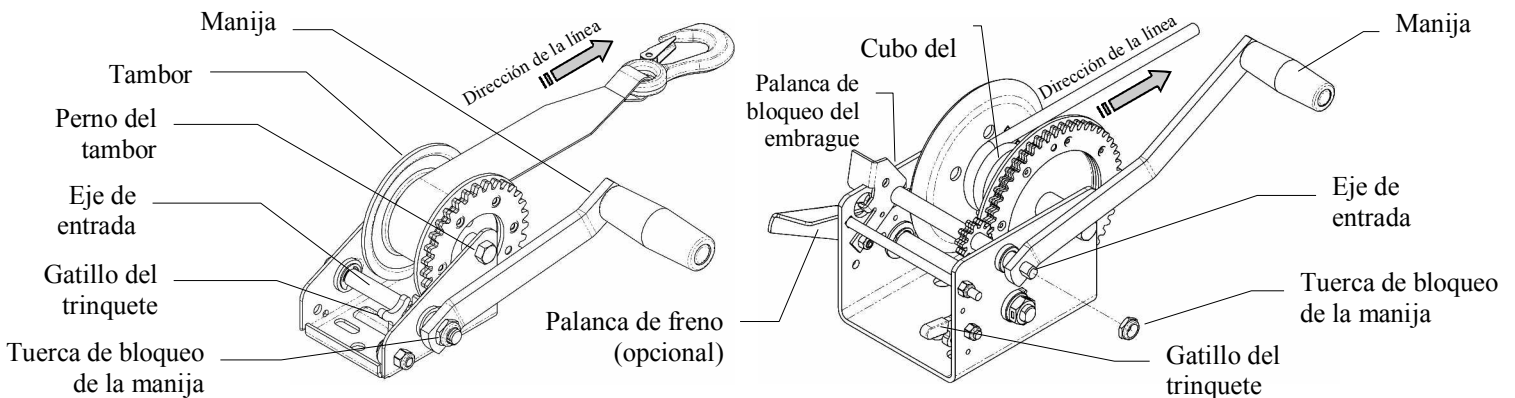
No seguir estas advertencias e instrucciones podría provocar daños a la propiedad, lesiones corporales serias y/o la muerte

- El comprador/propietario debe cerciorarse de que el producto se instale según estas instrucciones. El comprador/propietario no debe alterar ni modificar el producto.
- El operador y los espectadores nunca deben colocar ninguna parte del cuerpo debajo de este producto o de la carga que soporta.
- No permita que los niños jueguen encima o alrededor de este producto o de la carga que soporta.
- No use cabrestantes para mover personas.
- Nunca supere la capacidad de calificación máxima. Consulte las leyendas marcadas en el costado del marco para obtener la capacidad de calificación. Si tiene dudas, póngase en contacto con Cequent Trailer Products en el 800-604-9466 o www.cequentgroup.com
- Siempre revise el cable y sus accesorios antes de cada uso para verificar que no estén dañados. Nunca use un cable gastado, enrollado o pelado. Si el cable o accesorio se rompe, el cable golpeará fuertemente, lo que puede causar daños a la propiedad, lesiones personales de gravedad y/o la muerte.
- Nunca se pare al lado del cable del cabrestante, tira o sogas ni guíe el cable, tira o sogas con sus manos.
- Nunca opere con las manos lisas, mojadas o grasosas y siempre mantenga presión firme en la manija del cabrestante. No intente parar un cabrestante al agarrar la manija mientras está en movimiento.
- Siempre mantenga un mínimo de tres vueltas completas de cable o sogas en el tambor, o tres capas de tira en el tambor.
- Sólo los cabrestantes que tienen un diámetro de cubo de 1 3/4" pueden acomodar un cable de acero.
- Verifique que haya un factor de seguridad adecuado al menos 3 veces la carga máxima para todos los componentes usados.
- Se debe escuchar un sonido fuerte del trinquete al levantar la carga. Si no se escucha el sonido fuerte, no lo use, y reemplace de inmediato los componentes del trinquete.
- Nunca libere la manija a menos que el gatillo del trinquete esté completamente activado y la carga esté soportada.
- En ningún caso un sistema de gatillo de trinquete de una vía sostendrá la carga cuando se esté liberando.
- Nunca deje un peso apoyado del cabrestante mientras el cabrestante no tiene supervisión, u otra persona podría intentar operar el cabrestante y crear una condición insegura.
- Este cabrestante está diseñado para una operación manual únicamente y la calificación de carga está basada en un ciclo de trabajo intermitente.
- La fuerza excesiva para girar la manija del cabrestante podría indicar sobrecarga. Los cabrestantes marca Fulton requieren una fuerza de manija de 25-45 lbs para halar su carga calificada.
- Si usted no puede activar el cabrestante con una mano, estará sobrecargando potencialmente el cabrestante.
- En cabrestantes de dos velocidades, verifique que el gatillo del trinquete esté correctamente activo y sosteniendo la carga antes de intentar cambiar embragues.
- Los cabrestantes no están diseñados para asegurar botes a remolques mientras se remolca. Se deben usar amarres para botes con este propósito.
- Revise periódicamente los tornillos de montaje en cuanto a la torsión correcta y apriete de ser necesario.
- Siempre reemplace partes dobladas, rotas o gastadas antes de usar este producto.

Instrucciones de instalación

Advertencia: No seguir las instrucciones de instalación podría resultar en la falla del cabrestante.

(No se suministran los tornillos.) La base del cabrestante debe ser capaz de soportar al menos cinco veces la capacidad calificada del cabrestante. La superficie de montaje debe ser igual o superior que la huella del marco del cabrestante. Al instalar cabrestantes de remolque, use tornillos de 3/8" diá. grado 5 y apriete a torsión a 28-30 pies-libras. Los pernos de instalación varían en longitud para cada aplicación. Revise la instalación final y verifique que el cabrestante esté seguro en la estructura de montaje.



Instalación de la manija:

Instale la manija en el extremo plano del eje de entrada. Apriete la tuerca de bloqueo de 1/2" - 13 contra la manija y apriete a torsión a 22-25 pies-libras. No apriete en exceso.

Instalación de la línea del cabrestante (soga, tira o cable):

Siempre mantenga un mínimo de tres vueltas completas de sogas, tira o cable en el tambor. Si instala una soga o tira sin el ancla de tira con un cabrestante de la serie XLT, quite el perno del tambor y suavemente separe la cubierta plástica para que el tambor del cabrestante se pueda quitar. Instale el cable de acero, tira o soga según las instrucciones a continuación y vuelva a instalar el tambor del cabrestante como estaba antes. Apriete a torsión la tuerca de bloqueo a 9-10 pies-libras y cerciórese de que el tambor del cabrestante no esté limitado y gire a mano.

Instalación de una soga:

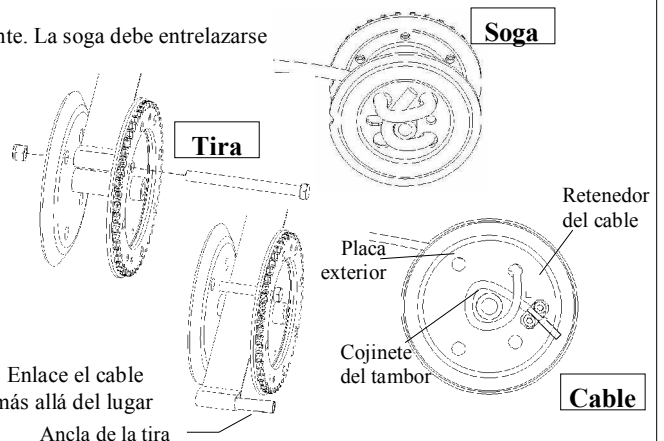
No se requieren pernos, tuercas ni abrazadera para instalar una soga al tambor del cabrestante. La soga debe entrelazarse a través de la pared del tambor y asegurarse debajo de sí misma como se muestra en la ilustración.

Instalación de una tira:

Los cabrestantes diseñados para tira tienen orificios en los tambores para acomodar un perno transversal con tira. Se requiere un perno grado 5 del mayor diámetro posible para instalar la tira (ver la tabla en la siguiente página). Apriete la tuerca de bloqueo justo hasta la holgura longitudinal del perno. Apretar en exceso puede deformar el tambor. Para cabrestantes que tienen un ancla para tira incluido, pase el lazo de la tira debajo del perno transversal, inserte el ancla de la tira en el lazo de la tira, luego hale hasta apretar.

Instalación de un cable de acero a un tambor:

Pase el cable desde el interior del tambor a través de uno de los huecos de la placa exterior. Enlace el cable alrededor del cojinete del tambor, debajo de sí mismo, y deje 1" del cable que se extienda más allá del lugar de la abrazadera. Apriete las tuercas de la abrazadera a aproximadamente 2 pies-libras.



Antes del uso

- Inspeccione la soga, la tira o el cable y reemplace si están dañados
- Revise los tornillos de montaje para verificar que tenga la torsión adecuada, y apriete de ser necesario.
- Los embragues, el punto de pivote del trinquete y los cojinetes del eje se deben mantener bien lubricados con un aceite o grasa de baja viscosidad.

Operación

Liberación de la línea/carga:

Antes de girar la manija, apriete firmemente la manija del cabrestante y desactive el gatillo del trinquete o active en la dirección opuesta. Quizás tenga que tomar una pequeña cantidad de la línea para permitir que el gatillo del trinquete descargue. Con firmeza sobre la manija del cabrestante, suelte la línea lentamente. Si debe parar antes de que la carga haya salido completamente, cerciórese de que el gatillo del trinquete esté activo en la posición hacia adelante o de carga y gradualmente libere la manija del cabrestante para verificar que el gatillo del trinquete esté sosteniendo la carga.

Recortar la línea/recoger la carga:

Cerciórese de que el gatillo del trinquete esté activado en la posición delantera o de carga. A medida que gira la manija, cerciórese de que el cable, tira o soga esté enrollándose en el tambor correctamente. Si debe parar antes de que la carga esté completa, verifique que el gatillo del trinquete esté activado y libere gradualmente la manija del cabrestante para asegurar que el gatillo del trinquete esté sosteniendo la carga.

Freno (Los cabrestantes vienen equipados con freno de mano opcional):

Aplique el freno para ayudar a controlar la carga al presionar la palanca de freno de mano. No libere la manija del cabrestante mientras libera la línea, y no intente parar la manija del cabrestante mientras gira.

Embrague (Cabrestantes de 2 velocidades únicamente):

Cerciórese de que el gatillo del trinquete esté correctamente activado y sostenga la carga antes de intentar cambiar de embrague. Los cabrestantes T3700 cambian del embrague al repositionar la manija del cabrestante en un eje de entrada diferente. Otros cabrestantes de 2 velocidades cambian de embrague al liberar la palanca de bloqueo del embrague, deslizando el eje de entrada y volviendo a activar la palanca de bloqueo del embrague. La palanca de bloqueo del embrague debe estar firmemente en su lugar en una ranura interna o externa en el eje de entrada durante la operación del cabrestante. Las ranuras internas y externas, el embrague de conducir está activado y la ranura central es neutra.

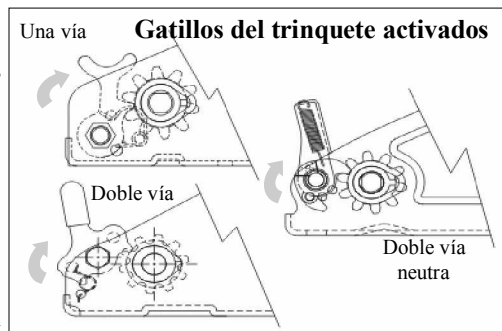
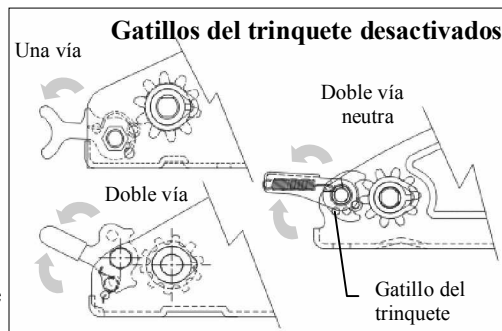


Tabla de información del cabrestante

Capacidad (1)	Número de parte Fulton	Relación de engranaje	Longitud de manivela	Ventaja mecánica máxima (2)	Gatillo del Trinquete	Almacenaje de tambor			Tamaño del perno de la correa, donde corresponda (no se incluye en todos los modelos)
						Soga	Cable de Acero(3)	Tira	
Cabrestante de 1 velocidad									
600 lbs.	T600	3.1:1	6"	34:1	Doble vía	36' x 1/4"	N/A	15' x 2"	1/4" x 2-1/2" Grado 5
900 lbs.	T900	3.1:1	7"	39:1	Doble vía	36' x 1/4"	N/A	15' x 2"	1/4" x 2-1/2" Grado 5
	T903	3.1:1	7"	39:1	Doble vía	36' x 1/4"	N/A	12' x 2"	1/4" x 2-1/2" Grado 5
1100 lbs.	T1100	4.1:1	7"	43:1	Doble vía neutra	30' x 5/16"	N/A	20' x 2"	1/4" x 2-1/2" Grado 5
1300 lbs.	T1300	4.1:1	8"	49:1	Doble vía neutra	30' x 5/16"	N/A	20' x 2"	1/4" x 2-1/2" Grado 5
1400 lbs.	XL T14	4.1:1	8"	43:1	Doble vía	N/A	N/A	20' x 2"	5/16" x 2-1/2" Grado 5
1500 lbs.	T1500	4.1:1	8"	49:1	Doble vía neutra	20' x 5/16"	N/A	20' x 2"	1/4" x 2-1/2" Grado 5
1600 lbs.	T1602	5.1:1	9"	56:1	Doble vía	20' x 7/16"	N/A	20' x 2"	3/8" x 2-3/4" Grado 5
1800 lbs.	T1801	5.1:1	10"	62:1	Doble vía	20' x 7/16"	N/A	20' x 2"	3/8" x 2-3/4" Grado 5
	XL T18	5.1:1	10"	62:1	Doble vía	N/A	N/A	20' x 2"	3/8" x 2-3/4" Grado 5
2100 lbs.	T2100	5.1:1	10"	62:1	Doble vía	20' x 7/16"	N/A	20' x 2"	3/8" x 2-3/4" Grado 5
Cabrestantes de 2 velocidades									
2000 lbs.	T2005	4.1:1 & 9.8:1	10"	87:1	Doble vía neutra	20' x 7/16"	N/A	N/A	3/8" x 2-3/4" Grado 5
	T2025	4.1:1 & 9.8:1	10"	64:1	Doble vía neutra	N/A	50' x 7/32"	N/A	Cable únicamente (3)
2600 lbs.	T2605	5.1:1 & 12.2:1	10"	108:1	Doble vía neutra	24' x 7/16"	N/A	N/A	3/8" x 3-1/2" Grado 5
	T2625	5.1:1 & 12.2:1	10"	79:1	Doble vía neutra	N/A	175' x 7/32"	N/A	Cable únicamente (3)
3200 lbs.	T3205	5.1:1 & 12.2:1	10"	79:1	Doble vía neutra	N/A	175' x 7/32"	N/A	Cable únicamente (3)
3700 lbs.	T3700	5.1:1 & 12.2:1	10"	102:1	Doble vía	N/A	185' x 7/32"	N/A	Cable únicamente (3)

- (1) La capacidad se basa en una fuerza de línea directa en la primera capa de la línea del tambor. La capacidad se reduce a medida que la línea se acumula en el tambor.
 (2) La ventaja mecánica máxima está basada en la primera capa de línea recomendada en el tambor. Para eficiencia máxima, use únicamente la cantidad de línea que necesita.
 (3) Sólo pueden usar cable de acero los cabrestantes que se muestran como tal. Los cabrestantes diseñados para cable de acero tienen un cubo de tambor más grande para reducir la fatiga de doblar el cable y extender la vida del mismo. Es necesario envolver perfectamente el cable para reducir las posibilidades de que se enrolle o se pele.

Cómo ordenar el producto

Use únicamente piezas de remolque Cequent o de calidad similar. Las piezas de repuesto se encuentran disponibles a través del Departamento de servicio al cliente de Cequent Trailer Products al 715-693-1700 ó 800-604-9466. Tenga a bien especificar el número de modelo del producto.

Garantía limitada

Garantía Limitada. Cequent Trailer Products, Inc. ("Nosotros") garantizamos al cliente comprador original únicamente ("Usted") que el producto adquirido no sufrirá defectos en lo material ni en su ejecución por un período de (i) cuatro años para productos Bulldog® y Fulton® Serie High Performance, (ii) tres años para productos Eclipse Bulldog Engineered® y Fulton® Serie Standard, y (iii) un año para los productos de la Serie Fulton® Value. La garantía mencionada es válida solamente si la instalación y uso del producto están de acuerdo a las instrucciones del mismo. No existen otras garantías, expresas o implícitas, incluyendo la garantía de comercialización o capacidad para fines particulares. Si el producto no cumple su correspondiente garantía limitada por un año, Su única alternativa es que Nosotros reemplacemos el producto sin costo alguno y dentro de un tiempo razonable o, en nuestra alternativa, reembolsar el dinero de compra. Esta garantía limitada no es transferible.

Limitaciones de la Garantía. Esta garantía limitada no cubre: (a) uso y desgaste normal; (b) daños causados por maltrato, negligencia, uso inapropiado, o como resultado de cualquier accidente o cualquier otra manera; (c) daños debido a malversación, sobrecarga, o instalación inapropiada, incluyendo soldadura; (d) mantenimiento y reparación inapropiada; y (e) alteración al producto en cualquier forma y realizada por terceros, con la única excepción de alteraciones realizadas con respecto a las instrucciones del producto y de manera esmerada.

Obligaciones del Comprador. Por favor guarde su comprobante de compra para verificar la fecha de adquisición y que usted es el cliente comprador original. Para realizar el reclamo de la garantía contáctese con nosotros a 1050 Indianhead Drive, Mosinee, WI, 54455, 1-800-604-9466, identifique el producto por el número de modelo, y siga las instrucciones provistas. Se nos deben entregar los comprobantes del producto y de compra a fin de procesar Su reclamo de la garantía. Cualquier producto devuelto que es reemplazado o reembolsado por Nosotros pasa a ser de nuestra propiedad. Usted debe asumir la responsabilidad de los costos de envío por devolución.

Límites de Reparación. Las reparaciones o reemplazos son Su único medio de solución bajo esta garantía limitada o cualquier otra garantía relacionada con el producto. Nosotros no nos responsabilizamos de gastos o rubros de servicio incurridos por la eliminación o reemplazo de un producto o de cualquier daño accidental o consiguiente de cualquier tipo.

Suposición de Riesgo. Usted reconoce y acuerda que cualquier uso del producto para cualquier propósito fuera del especificado en las instrucciones del producto está bajo Su riesgo.

Ley Regulatoria. Esta garantía limitada le concede derechos legales específicos, y Usted quizás tenga también otros derechos que varían según el Estado. Esta garantía limitada está regulada por las leyes del Estado de Michigan, sin tener en cuenta los principios concernientes a los conflictos de Ley. Las Cortes del Estado localizadas en el Condado de Oakland, Michigan tendrán la jurisdicción exclusiva de cualquier litigio relacionado con esta garantía.

Cequent Trailer Products
 1050 Indianhead Dr., P.O. Box 8 Mosinee, WI 54455-0008
 800/604-9466 715/693-1700 Fax 715/693-1799
 TR-Sales@cequentgroup.com
 www.cequentgroup.com

Lesen, verstehen, befolgen und verwahren Sie diese Anleitung

Lesen, verstehen und befolgen Sie diese Anweisungen und Warnungen (Anleitungen), bevor Sie dieses Produkt installieren oder verwenden. Installieren und verwenden Sie dieses Produkt nur so, wie in dieser Anleitung vorgeschrieben. Eine unsachgemäße Installation oder Verwendung dieses Produkts kann zu Sachschäden, schweren Verletzungen und/oder Tod führen. Dieses Produkt darf nur von Personen installiert oder verwendet werden, denen diese Anleitung zur Verfügung gestellt wurde. Sie müssen alle Anweisungen und Warnungen für Produkt(e) lesen, verstanden haben und befolgen, die im Zusammenhang mit diesem Produkt verwendet oder installiert werden. Verwahren Sie diese Anleitung für zukünftige Installationen und Verwendung dieses Produkts.

WARNUNG

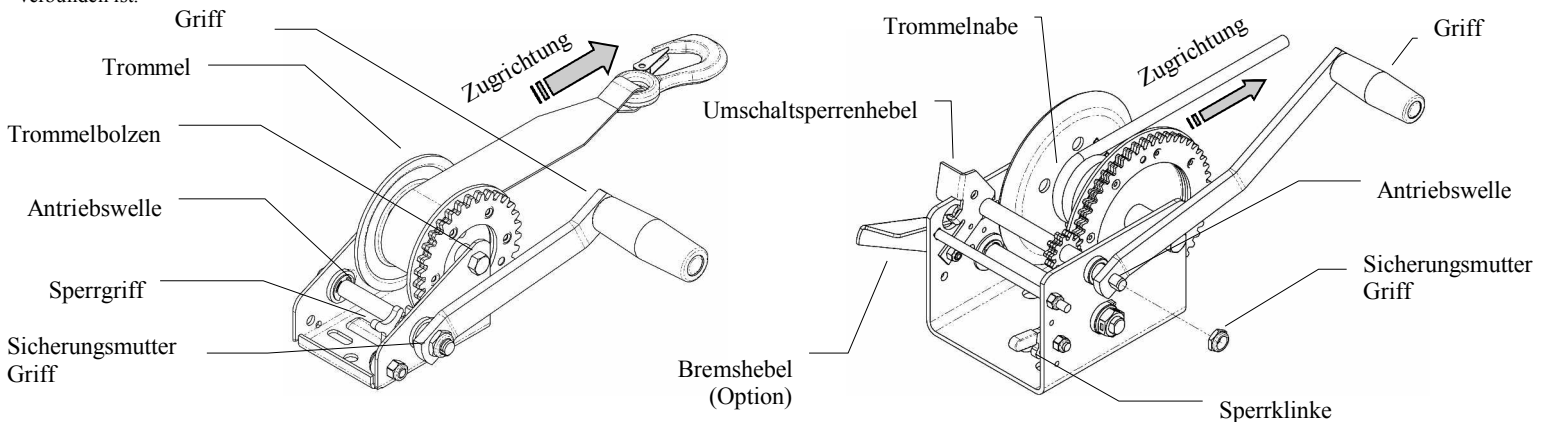
Ein Nichtbeachten der Warnungen und Anweisungen kann zu Sachschäden, schweren Verletzungen und/oder Tod führen.

- Der Käufer/Besitzer muss sicherstellen, dass das Produkt gemäß dieser Anleitung installiert wird. Der Käufer/Besitzer darf das Produkt nicht umbauen oder verändern.
- Bediener und umstehende Personen dürfen nicht unter oder auf Teile dieses Produkts noch auf damit zu stützende oder bewegende Lasten treten oder in dieses hineinreichen.
- Kinder dürfen an oder in der Nähe dieses Produkts oder den damit zu stützenden oder bewegendenden Lasten nicht spielen.
- Verwenden Sie Winden nicht zum Bewegen von Personen.
- Die Maximallast darf unter keinen Umständen überschritten werden. Die Nennlast finden Sie auf den Kennzeichnungen an der Seite des Rahmens. Setzen Sie sich im Zweifelsfall mit Cequent Trailer Products unter 800-604-9466 oder www.cequentgroup.com in Verbindung.
- Inspizieren Sie das Kabel und die dazugehörigen Anbauten stets, bevor Sie diese verwenden, um sicherzustellen, dass sie nicht beschädigt sind. Verwenden Sie keine verschlissenen, geknickten oder ausgefranzten Kabel. Wenn es zu einem Bruch des Kabels oder der Anbauten kommt, schwingt das Kabel heftig und unkontrolliert und verursacht Schäden, Verletzungen und/oder führt zum Tod.
- Stehen Sie niemals entlang des Windenkabels, Gurts oder Seils und führen Sie Kabel, Gurte oder Seile niemals mit Ihren Händen.
- Arbeiten Sie niemals mit rutschigen, nassen oder öligen Händen und halten Sie den Griff der Winde stets fest umfasst. Versuchen Sie nicht, die Winde anzuhalten, indem Sie nach dem sich bewegenden Griff greifen.
- Es müssen stets mindestens drei vollständige Kabel- oder Seilwicklungen oder drei Gurtlagen auf der Trommel vorhanden sein.
- Nur Winden mit einem Nabendurchmesser von 1 3/4 Zoll sind für Stahlkabel geeignet.
- Vergewissern Sie sich, dass stets ein Sicherheitsfaktor von mindestens der dreifachen Maximallast für alle verwendeten Komponenten gewährleistet ist.
- Beim Anheben der Ladung muss ein lautes Klicken der Sperrklinke zu hören sein. Ist dieses laute Klicken nicht zu hören, darf die Sperrklinke nicht verwendet werden und die Sperrklinkenkomponenten sind unverzüglich auszuwechseln.
- Lassen Sie die Handkurbel niemals los, bevor nicht die Sperrklinke vollständig eingerastet und die Last abgestützt ist.
- Unter keinen Umständen kann ein Einweg-Sperrklinkensystem die Last halten, wenn sie losgelassen wird.
- Lassen Sie ein Gewicht, welches durch die Winde gestützt wird, unbeaufsichtigt, da andere Personen versuchen könnten, die Winde zu betätigen, wodurch eine unsichere Situation entstehen könnte.
- Die Winde ist nur für den Handbetrieb ausgelegt. Die Tragfähigkeit hängt basiert auf einem intermittierendem Betrieb.
- Wenn Sie übermäßige Kraft aufwenden müssen, um den Windengriff zu betätigen, kann eine Überlast die Ursache sein. Fulton-Winden erfordern einen Griffkraftaufwand von 25-45 lbs zum Ziehen der Nennlast.
- Wenn Sie den Griff nicht mit einer Hand kurbeln können, ist die Winde möglicherweise überlastet.
- Bei Zweigangwinden ist sicherzustellen, dass die Sperrklinke ordnungsgemäß eingerastet ist, bevor Sie versuchen, den Gang zu wechseln.
- Winden Sie nicht dafür ausgelegt, Boote während des Schleppbetriebs an Anhängern zu sichern. Zu diesem Zweck sollten Bootverzurrungen verwendet werden.
- Überprüfen Sie in regelmäßigen Abständen die Montagebeschläge auf ordnungsgemäßen Drehmoment und ziehen Sie diese nach, wenn erforderlich.
- Ersetzen Sie verbogene, gebrochene oder verschlissene Teile stets, bevor Sie dieses Produkt verwenden.

Installationsanleitung

Warnung: Ein Nichtbefolgen der Installationshinweise kann zum Versagen der Winde führen.

(Montagebeschläge werden nicht mitgeliefert.) Das Windengestell muss mindestens dem Fünffachen der Nennlast der Winde widerstehen. Die Montagefläche muss gleich oder größer der Standfläche des Windenrahmens sein. Wenn Sie die Anhängerwinde anbringen, werden Sie Beschläge mit 3/8 Zoll Durchmesser, Klasse 5, Drehmoment 28-30 ft-lbs. Die Montagebolzen variieren je nach Anwendung. Prüfen Sie die Endinstallation und vergewissern Sie sich, dass die Winde sicher mit dem Montageträger verbunden ist.



Anbringen des Griffs:

Setzen Sie den Griff in das abgeflachte Antriebswellenende ein. Ziehen Sie die Sicherungsmutter (1/2" - 13) mit einem Drehmoment von 22-25 ft-lbs gegen den Griff an. Achten Sie darauf, dass Sie die Mutter nicht überdrehen.

Anbringen der Windenleitung (Seil, Gurt oder Kabel):

Es müssen stets mindestens drei vollständige Kabel- oder Seilwicklungen oder drei Gurtlagen auf der Trommel vorhanden sein. Wenn Sie ein Seil oder einen Gurt ohne Gurtanker an einer Winde der XLT-Serie anbringen, entfernen Sie den Trommelbolzen und nehmen Sie vorsichtig die Kunststoffabdeckung ab, um die Windentrommel entfernen zu können. Installieren Sie das Stahlkabel, den Gurt oder das Seil gemäß den untenstehenden Anweisungen und bauen Sie die Windentrommel wieder auf den ursprünglichen Zustand ein. Ziehen Sie die Sicherungsmutter mit einem Drehmoment von 9-10 ft-lbs an und stellen Sie sicher, dass die Windentrommel nicht schwergängig ist und sich von Hand drehen lässt.

Anbringen eines Seils:

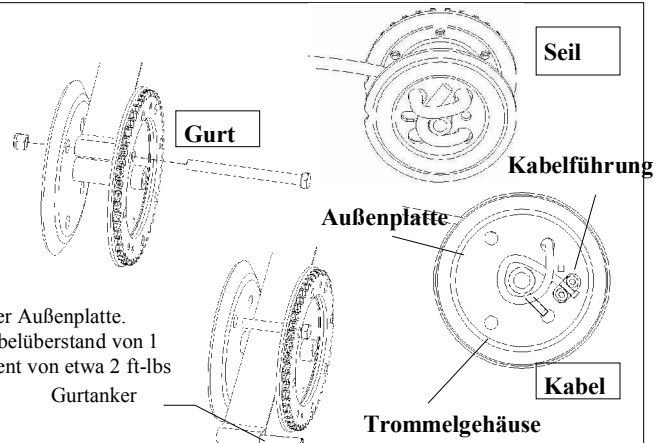
Das Anbringen eines Seils auf einer Windentrommel erfordert keine Bolzen, Muttern oder Klammern. Das Seil muss durch die Außenwand der Trommel gefädelt und mit sich selbst gesichert werden, wie in der Abbildung dargestellt.

Anbringen eines Gurts:

Winden, die für Gurte ausgelegt sind, haben Öffnungen in der Trommel, in welche Querbolzen für die Gurte eingeführt werden. Für die Montage von Gurten sind Bolzen der Klasse A mit größtmöglichem Durchmesser zu verwenden (siehe Tabelle auf der folgenden Seite). Ziehen Sie die Sicherungsmutter bis zum Axialspiel des Bolzens an. Ein Überdrehen kann zur Deformation der Trommel führen. Bei Winden mit Gurtankern führen Sie die Gurtschleife unter dem Querbolzen durch, führen einen Gurtanker durch die Gurtschleife und ziehen diese an.

Anbringen eines Stahlkabels an der Trommel:

Führen Sie das Kabel von der Innenseite der Trommel durch eine der genoppten Öffnungen in der Außenplatte. Schlingen Sie das Kabel um das Trommelgehäuse und unter sich selbst, und lassen Sie einen Kabelüberstand von 1 Zoll über die Klammer hinausstehen. Ziehen Sie die Muttern der Klammer mit einem Drehmoment von etwa 2 ft-lbs an.



Vor dem Gebrauch

- Prüfen Sie Seile, Gurte oder Kabel auf Schäden und ersetzen Sie diese bei Schäden.
- Überprüfen Sie die Montagebeschläge auf ordnungsgemäße Festigkeit und ziehen Sie diese nach, wenn erforderlich.
- Getriebe, Drehpunkte der Sperrklinke und Wellenlager sind mit einer dünnen Öl- oder Fettschicht zu schmieren.

Betrieb

Ausfahren der Leitung/Last:

Bevor Sie den Griff drehen, halten Sie den Windengriff fest umgriffen und lösen Sie die Sperrklinke oder rasten Sie sie in umgekehrter Richtung ein. Sie müssen möglicherweise etwas Leitung nachgeben, bevor Sie die Sperrklinke entlasten können. Halten Sie den Windengriff fest und lassen Sie die Leitung langsam gehen. Wenn Sie anhalten müssen, bevor die Last vollkommen entlastet ist, stellen Sie sicher, dass die Sperrklinke in Vorwärts- oder Ladeposition eingerastet ist, und lassen Sie den Windengriff schrittweise los, um sicherzugehen, dass die Sperrklinke die Last auch hält.

Einholen der Leitung/Last:

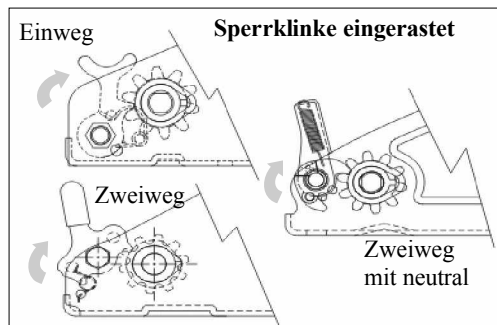
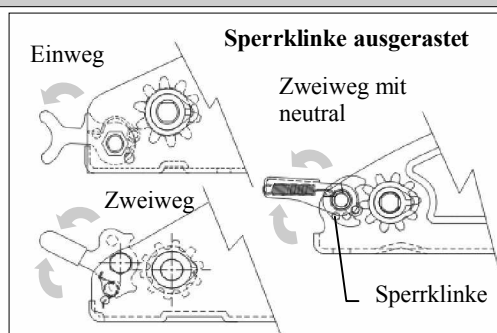
Vergewissern Sie sich, dass die Sperrklinke in Vorwärts- oder Ladeposition eingerastet ist. Prüfen Sie beim Drehen des Griffs, dass sich Kabel, Gurt oder Seil ordnungsgemäß auf der Trommel aufrollen. Wenn Sie anhalten müssen, bevor die Last vollständig eingeholt ist, stellen Sie sicher, dass die Sperrklinke eingerastet ist, und lassen Sie den Windengriff schrittweise los, um sicherzugehen, dass die Sperrklinke die Last auch hält.

Bremsen (Winden mit optionaler Handbremse):

Betätigen Sie zum Kontrollieren der Last die Bremse, indem Sie auf den Handbremsenhebel drücken. Lassen Sie den Windenhebel nicht los, während Sie die Leitung ausfahren, und versuchen Sie nicht einen sich drehenden Windenhebel anzuhalten.

Schalten (nur 2-Gang-Winden):

Überprüfen Sie, dass die Sperrklinke ordnungsgemäß eingerastet ist, bevor Sie versuchen, den Gang zu wechseln. Bei Winden des Typs T3700 wechseln Sie den Gang, indem Sie den Windengriff in eine andere Antriebswelle einsetzen. Bei anderen 2-Gang-Winden erfolgt der Gangwechsel durch Ausrasten des Umschaltsperrhebels, Einschieben der Antriebswelle und erneutes Einrasten des Umschaltsperrhebels. Der Umschaltsperrhebel muss während des Betriebs der Winde fest in einer Innen- oder Außennut auf der Antriebswelle eingerastet sein. Innen- und Außennuten am Antriebsrad sind eingerastet, die Mittelnut ist neutral.



Datenblatt Winde

Leistung (1)	Fulton-Teile-Nr	Übersetzung	Grifflänge	Last-Kraft-Verh. (2)	Sperrklinkentyp	Trommellagerung			Gurtbolzengröße, wenn notwendig (nicht bei allen Modellen vorhanden)
						Seil	Stahlkabel (3)	Gurt	
EINGANGSWINDEN									
600 lbs.	T600	3.1:1	6"	34:1	Zweiweg	36' x 1/4"	N/A	15' x 2"	1/4" x 2-1/2" Klasse 5
900 lbs.	T900	3.1:1	7"	39:1	Zweiweg	36' x 1/4"	N/A	15' x 2"	1/4" x 2-1/2" Klasse 5
	T903	3.1:1	7"	39:1	Zweiweg	36' x 1/4"	N/A	12' x 2"	1/4" x 2-1/2" Klasse 5
1100 lbs.	T1100	4.1:1	7"	43:1	Zweiweg mit neutral	30' x 5/16"	N/A	20' x 2"	1/4" x 2-1/2" Klasse 5
1300 lbs.	T1300	4.1:1	8"	49:1	Zweiweg mit neutral	30' x 5/16"	N/A	20' x 2"	1/4" x 2-1/2" Klasse 5
1400 lbs.	XLT14	4.1:1	8"	43:1	Zweiweg	N/A	N/A	20' x 2"	5/16" x 2-1/2" Klasse 5
1500 lbs.	T1500	4.1:1	8"	49:1	Zweiweg mit neutral	20' x 5/16"	N/A	20' x 2"	1/4" x 2-1/2" Klasse 5
1600 lbs.	T1602	5.1:1	9"	56:1	Zweiweg	20' x 7/16"	N/A	20' x 2"	3/8" x 2-3/4" Klasse 5
1800 lbs.	T1801	5.1:1	10"	62:1	Zweiweg	20' x 7/16"	N/A	20' x 2"	3/8" x 2-3/4" Klasse 5
	XLT18	5.1:1	10"	62:1	Zweiweg	N/A	N/A	20' x 2"	3/8" x 2-3/4" Klasse 5
2100 lbs.	T2100	5.1:1	10"	62:1	Zweiweg	20' x 7/16"	N/A	20' x 2"	3/8" x 2-3/4" Klasse 5
ZWEIANGSWINDEN									
2000 lbs.	T2005	4.1:1 & 9.8:1	10"	87:1	Zweiweg mit neutral	20' x 7/16"	N/A	N/A	3/8" x 2-3/4" Klasse 5
	T2025	4.1:1 & 9.8:1	10"	64:1	Zweiweg mit neutral	N/A	50' x 7/32"	N/A	nur Kabel (3)
2600 lbs.	T2605	5.1:1 & 12.2:1	10"	108:1	Zweiweg mit neutral	24' x 7/16"	N/A	N/A	3/8" x 3-1/2" Klasse 5
	T2625	5.1:1 & 12.2:1	10"	79:1	Zweiweg mit neutral	N/A	175' x 7/32"	N/A	nur Kabel (3)
3200 lbs.	T3205	5.1:1 & 12.2:1	10"	79:1	Zweiweg mit neutral	N/A	175' x 7/32"	N/A	nur Kabel (3)
3700 lbs.	T3700	5.1:1 & 12.2:1	10"	102:1	Zweiweg	N/A	185' x 7/32"	N/A	nur Kabel (3)

Die (1) **Leistung** basiert auf der direkten Leitungszugkraft der ersten Leitungsebene auf der Trommel. Die Leistung reduziert sich mit der Seilmenge, die sich auf der Trommel sammelt.

Das (2) **Last-Kraft-Verhältnis** basiert auf der ersten Ebene der empfohlenen Leitung auf der Rolle. Um eine maximale Leistung zu erzielen, verwenden Sie stets nur soviel Leitung wie notwendig.

(3) **Stahlkabel** dürfen nur an solche Winden verwendet werden, die für die Verwendung von **Stahlkabeln** ausgewiesen sind. Winden für Stahlkabel haben eine größere Trommelnabe, wodurch die Biegeermüdung reduziert und die Lebensdauer des Kabel verlängert wird. Ein sauberes Aufwickeln des Kabels ist notwendig, um ein Knicken oder Ausfransen des Kabels zu vermeiden.

Bestellung

Verwenden Sie für Reparaturen nur Teile von Cequent Trailer Products oder Teile gleicher Qualität. Ersatzteile erhalten Sie über die Kundendienstabteilung von Cequent Trailer Products unter der Rufnummer 715-693-1700 oder 800-604-9466. Bitte geben Sie dabei die Modellnummer des Produkts an. Besuchen Sie uns auch unter www.cequentgroup.com für weitere Details.

Beschränkte Garantie

Limitierte Garantie Cequent Trailer Products, Inc. ("Wir" oder "Uns") garantieren gegenüber dem original Käufer ("Ihnen") das der gekaufte Artikel frei von materiellen Defekten ist, sowohl im Material als auch in der Verarbeitung, normale Nutzung und Verschleiss angenommen, fuer (i) funf Jahre fuer Bulldog® und Fulton® High Performance Series Produkte, (ii) drei Jahre fuer Eclipse Bulldog Engineerd® und Fulton® Standard Series Produkte, und (iii) ein Jahr fuer die Fulton® Value Series Produkte. Die vorstehende Garantie ist nur gueltig wenn die Installation und Benutzung des Produktes in Uebereinstimmung mit diesen Anweisungen erfolgte. Es gibt keine anderen Garantien, ausdruecklich oder impliziert, einschliesslich Garantie der Marktgaengigkeit oder Eignung fuer eine besondere Verwendung. Wenn das Produkt nicht mit dieser Garantie uebereinstimmt, ist Ihre alleinige und exklusive Abhilfe das wir das Produkt ohne Zahlung umtauschen innerhalb eines angemessenen Zeitraums, oder als andere Option, den Kaufpreis zurueckerstatten. Diese Garantie ist nicht uebertragbar.

Limitierung der Garantie Diese limitierte Garantie enthaelt nicht: (a) normale Nutzung und Abnutzung; (b) Schaden durch Missbrauch, Unterlassung, unsachgemaesser Behandlung oder als Ergebnis eines Unfalls oder in jeder anderen Art und Weise; (c) Schaden von falscher Anwendung, Ueberlastung, oder falscher Installation einschliesslich Schweissnahten (d) falsche Wartung oder Reparatur und (e) Produktaenderungen in jeder Form bei jemandem anderen als uns, mit Ausnahme von Aenderungen in Verbindung mit Produktanweisungen und fachmaennisch ausgefuehrt.

Obligationen des Kaeufers: Bitte behalten Sie den originellen Kassenzettel um das Kaufdatum zu beweisen und das Sie der original Käufer sind. Im Garantiefall benachrichtigen Sie uns an 1050 Indianhead Drive, Mosinee, WI, 54455 oder 1-800-604-9466, und identifizieren das Produkt bei Modellnummer und folgen den Anweisungen die angeboten werden. Dsa Produkt und der Kaufbeleg muessen uns ueberlassen werden um den Garantiefall zu bearbeiten. Jedes zurueckgesandte Produkt das umgetauscht oder rueckverguetet wurde, bekommen unser Eigentum. Sie sind verantwortlich fuer die Versandkosten.

Limitierung des Remediums: Reparatur oder Umtausch sind Ihre einzigen Remedien unter dieser Garantie oder jeder anderen Garantie zu diesem Produkt. Wir sind nicht verantwortlich fuer Service oder Arbeitskosten die durch entfernung oder austausch des Produkts oder durch beilaeufige oder konsequente Schaeden jeder Art.

Risikoannahme Sie bescheinigen und stimmen ein das jede Benutzung dieses Produkts fuer jeden Grund der von der spezifizierten Benutzung abweicht, auf Ihr eigenes Risiko erfolgt.

Anwendbares Recht Diese Garantie gibt Ihnen spezielle Rechte und Sie koennen auch andere Rechte haben, die von Staat zu Staat verschieden sind. Diese Garantie ist regiert bei den Gesetzen des Staates Michigan, ohne Beeinflussung durch Regulierungen fuer konfliktierende Gesetze. Das Landesgericht in Oakland County, Michigan, soll die exklusive Gerichtsbarkeit fuer alle Streitfaelle im Zusammenhang mit dieser Garantie sein.

Cequent Trailer Products
1050 Indianhead Dr., P.O. Box 8 Mosinee, WI 54455-0008
800/604-9466 715/693-1700 Fax 715/693-1799
TR-Sales@cequentgroup.com
www.cequentgroup.com